

## Introduction and General Information

Congratulations, and thank you for choosing FreeLinc products to enhance your two-way radio communications.

Each FreeLinc Adapter is compatible with other FreeLinc wireless communication accessories that use cutting-edge Near Field Magnetic Induction communication (NFMI) wireless technology. NFMI supports mobility, freedom-of-motion, exceptional battery life, audio integrity, ease-of-use, durability, secure communications and comfort. This is the first technology of its kind to be implemented into practical voice and audio solutions for two-way radios.

Thank you for choosing FreeLinc.

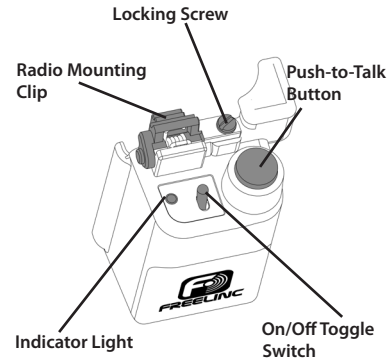


Randy Bailey  
President

## Parts of the Product - Adapter

### Diagram/Terms

Illustrated below are the components of your FreeLinc Adapter.



## General Operation

### Using Your FreeLinc Wireless Accessory for the First Time

#### Step One: Attach Adapter

Attach your FreeLinc FA01 Adapter to the accessory interface of your portable radio (see your portable radio's user manual if you need assistance locating the accessory interface). Use the mounting clip and locking screw (see diagram) to secure the adapter to your radio. When properly attached, the spring-loaded pins should align with the contacts on the accessory interface of your portable radio and the adapter should fit securely.

## General Operation

### Step Two: Turn On Adapter

Turn on your portable radio and set the toggle switch to "ON" (see diagram).

This will automatically silence the speaker on your portable radio and route all of your communications to the FreeLinc wireless accessory.

**Note:** For information on how to operate this product with a FreeLinc accessory, please refer to your user manual that came with the accessory.

## Adapter Indicator Light

The indicator light on your FreeLinc FA01.b Adapter indicates wireless communication status as follows:

BEHAVIOR	INDICATION
Green Flashing	Link Active
Red Flashing	Seek Mode
Orange Flashing	Mic Gain Adj.
Not Illuminated	Sleep Mode

## Troubleshooting

For up-to-date troubleshooting information, please visit [www.freelinc.com](http://www.freelinc.com) and click the "support" link. To contact a customer service representative, call 1-866-467-1199.

## Safety Information

Caution: To reduce the risk of fire or injury to persons, read and follow these instructions.

Do not use liquid cleaners or aerosol cleaners as they may damage the adapter or finish of the adapter.

Do not stick anything inside the product as this may damage internal components. This product conforms to the following safety standards:

ANSI/UL 60950-1 1st Ed.  
CAN/CSA C22.2 No. 60950-1-03  
EN 60950-1 1st Ed.



© 2005, 2006, 2007, 2008, 2009 Radeum Inc., DBA FreeLinc.

All Rights Reserved.

U.S. Patents 7,149,552. Additional Patents Pending.

The FreeLinc Adapter Series may not be authorized for use in some countries.

MADE in USA

rev1209

## FCC Compliance

This equipment has been tested and found to comply with the limits for a class B digital device, pursuant to Part 15 of the FCC rules. These limits are designed to provide reasonable protection against harmful interference in a residential installation. This equipment generates, uses and can radiate radio frequency energy and, if not installed and used in accordance with the manufacturer's instructions, may cause interference harmful to radio communications.

There is no guarantee however, that interference will not occur in a particular installation. If this equipment does cause harmful interference to radio or television reception, which can be determined by comparing the equipment off and on, the user is encouraged to try to correct the interference by one or more of the following measures:

- Reorient or relocate the receiving antenna.
- Increase the separation between the equipment and receiver.
- Connect the equipment into an outlet on a circuit different from that to which the receiver is connected.
- Consult your supplier or an experienced radio/TV technician for assistance.

**Warning:** Changes or modifications to this unit not expressly approved by the party responsible for compliance could void the user's authority to operate this equipment.

## Warranty

- I. What this warranty covers and for how long:
  - a. Radeum, Inc., doing business as FreeLinc ("FreeLinc"), warrants to Purchaser that its FreeLinc manufactured products ("Product") will substantially conform to FreeLinc's published specifications, as of the date of the Purchaser's purchase of the Product, and for one (1) year from the date of purchase (the "Warranty Period").
  - b. Rechargeable batteries will be replaced during the warranty period if the battery develops leakage.
  - c. FreeLinc, at its option, will at no charge either repair, replace, or refund the purchase price for warranted Product during the warranty period provided it is returned in accordance with the terms of this warranty to the place of purchase. Repair, at FreeLinc's option, may include the replacement of parts or boards with functionally equivalent reconditioned or new parts or boards. Replaced parts or boards are warranted only for the balance of the original Warranty Period. All replaced parts or Product shall become the property of FreeLinc.
  - d. This express limited warranty is extended by FreeLinc to the original end user purchaser only and is not assignable or transferable to any other party. This is the complete warranty for Product manufactured by FreeLinc. FreeLinc assumes no obligations or liability for additions or modifications to this warranty unless made in writing and signed by an officer of FreeLinc. Unless made in a separate written agreement between FreeLinc and the original end user purchaser, FreeLinc does not warrant the installation, maintenance or service of warranted Product.

- e. FreeLinc is not responsible in any way for any ancillary equipment not furnished by FreeLinc which is attached to or used in connection with Product, or for operation of the Product with any ancillary equipment and all such equipment is expressly excluded from this warranty. Because each system which may use the Product is unique, FreeLinc disclaims liability for range, coverage, or operation of the system as a whole under this warranty.
- II. What this warranty does not cover:
  - a. Defects or damage resulting from use of the Product in other than its normal and customary manner.
  - b. Defects or damage from misuse, accident, water or neglect.
  - c. Defects or damage from improper testing, operation, maintenance, installation, alteration, modification, or adjustment.
  - d. A Product subjected to unauthorized modifications, disassemblies, or repairs.
  - e. Product which has had the serial number removed or made illegible.
  - f. Rechargeable batteries if the damage or defect is caused by charging or using the battery in equipment or service other than the Product for which it is specified.
  - g. Freight costs related to Product returned for warranty claims.
  - h. A product which, due to illegal or unauthorized alteration of the software/firmware in the Product, does not function in accordance with FreeLinc's published specifications or the FCC type acceptance labeling in effect for the Product at the time the Product was purchased.

- III. How to get warranty service:
  - a. Purchaser shall notify FreeLinc of any nonconformance during the warranty period, and obtain a written return material authorization ("RMA") and an RMA number for the nonconforming Product from FreeLinc.
  - b. Purchaser shall return the nonconforming Product to the place of purchase freight prepaid.
- IV. Limitation of Liability:
  - a. This warranty sets forth the full extent of FreeLinc's responsibilities regarding the Product. Repair, replacement, or refund of the purchase price, at FreeLinc's option, is the exclusive remedy.
  - b. THE FOREGOING WARRANTIES ARE THE SOLE WARRANTIES, EXPRESS OR IMPLIED, GIVEN BY FREELINC IN CONNECTION WITH THE PRODUCT, AND FREELINC DISCLAIMS ALL OTHER WARRANTIES EXPRESS OR IMPLIED, INCLUDING WARRANTIES OF MERCHANTABILITY, FITNESS FOR A PARTICULAR PURPOSE, AND NONINFRINGEMENT OF THIRD-PARTY RIGHTS.
  - c. FREELINC SHALL NOT BE LIABLE FOR ANY SPECIAL, INCIDENTAL, OR CONSEQUENTIAL DAMAGES IN CONNECTION WITH THE PRODUCT, EVEN IF FREELINC HAS BEEN ADVISED OF THE POSSIBILITY OF SUCH DAMAGES.
  - d. EXCEPT FOR CLAIMS FOR BODILY INJURY (including death) AND CLAIMS FOR DAMAGE TO REAL PROPERTY AND TANGIBLE PERSONAL PROPERTY, FREELINC'S LIABILITY FOR ALL OTHER CLAIMS SHALL NOT EXCEED THE AMOUNT PAID TO FREELINC FOR THE PRODUCT GIVING RISE TO FREELINC'S LIABILITY. THIS LIMIT OF LIABILITY ALSO APPLIES TO OUR MANUFACTURERS AND DISTRIBUTORS. IT IS THE MAXIMUM AMOUNT FOR WHICH WE ARE COLLECTIVELY RESPONSIBLE.

# FREELINC® FA01 Adapter User Guide

